

shademaker

13401 Brooks Drive
Baldwin Park, CA 91706
p 626 338 8810 f 626 338 8816

shademakerusa.com



shademakerusa.com

SHOWROOMS

Chicago - 1655 Merchandise Mart
Las Vegas - World Market C1215

shademaker

a r c h i t e c t u r a l s h a d e

2 0 1 7



shademaker

By fusing the imagination of outdoor fashion with the practicalities of environmental performance, Shademaker represents "the apex of shade design". For more than a decade Shademaker has been the premier line of shade for the finest restaurants, resorts and country clubs around the world.



Shademaker offers a complete line of shade solutions, with many innovative styles and distinct configurations. Shademaker can help you create a sophisticated and functional environment in any setting.

centerpost design

libra

page 4



astral-tc

page 8



beam mount design

nova

page 12



sidepost design

orion

page 16



galaxy

page 20



sirius

page 24



polaris

page 28



shademaker





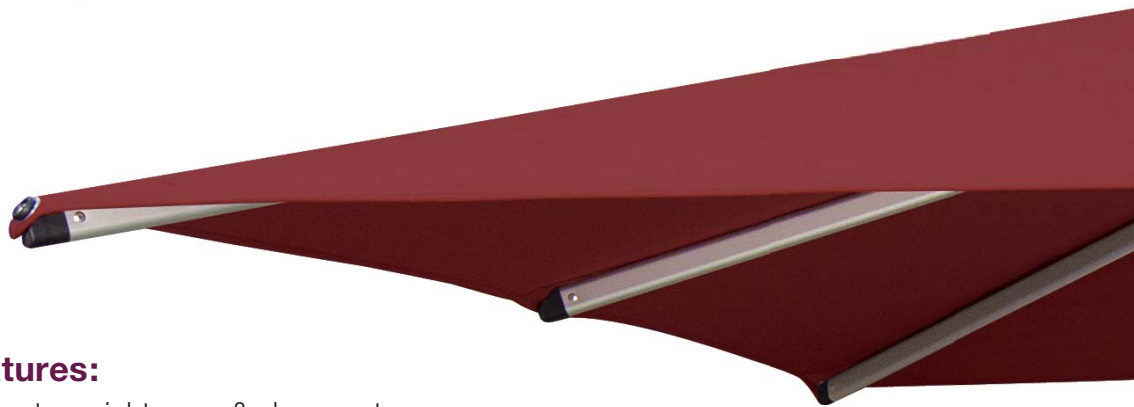
libora

libra



libra

The Libra style features our counterweight – open and close system. Ease of use and simplicity of design.



Features:

- Counterweight open & close system
- Durable high performance hub and fittings
- External mast stem for mount kit option (*included*)
- Includes protective cover

MOUNT OPTIONS/BASES:

See page **32** for concrete and in-ground mounting options
See pages **33 & 35** for steel and cast aluminum bases

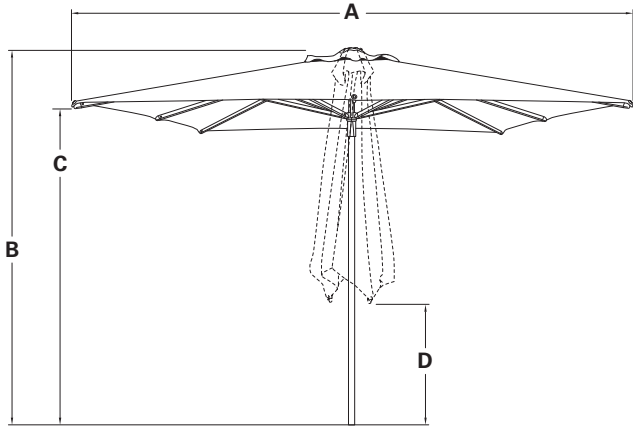
– Visit www.shademakerusa.com for more product information –

Mast Type: 1.57" Round - Centerpost

Wall Thickness: .051" Arms
.079" Mast

Applications: Commercial and Residential

Finish: Silver Shadow



Item No.	A Total Width	B Total Height	C Height to Arm	D Canopy Clearance Closed
LIBRA-20S	6' 6"	7' 8"	6' 5"	3' 1"
LIBRA-25S	8' 2"	8'	6' 5"	2' 2"
LIBRA-25	7' 6"	7' 8"	6' 8"	3' 7"

Item No.	Size		Canopy Shape	Coverage	Ribs	MSRP Price Group 1 <i>Sunbrella® Awning Grade</i>	MSRP Price Group 2 <i>O'bravia™ Awning Grade Sunbrella® Furniture Grade Outdura® Furniture Grade</i>	Min. Base Weight*
	meters	feet						
LIBRA-20S	2.0m	6' 6"	Square	43 sq. ft.	4	\$835	\$650	100 lbs.
LIBRA-25S	2.5m	8' 2"	Square	67 sq. ft.	8	\$1,025	\$840	100 lbs.
LIBRA-25	2.5m	8' 2"	Octagon	52 sq. ft.	8	\$1,010	\$815	100 lbs.

* NOTE: Recommended minimum weight requirements for free-standing applications.

Striped fabrics must be ordered in pairs, due to cutting requirements.



shademaker





astral-tc

astral-tc

The Astral-TC is designed to close over table and chairs. To open this gigantic umbrella, just turn the crank handle only 7 times.

astral-tc

Features:

- Durable high performance hub and fittings
- Crank lift system
- Telescopic mast allows umbrella to be closed, so it does not hit the table beneath it.
- Removable crank handle
- Internal mast stem and protective cover (*included*)

MOUNT OPTIONS/BASES:

See page **32** for concrete and in-ground mounting options
See page **33** for steel and heavy-duty steel bases

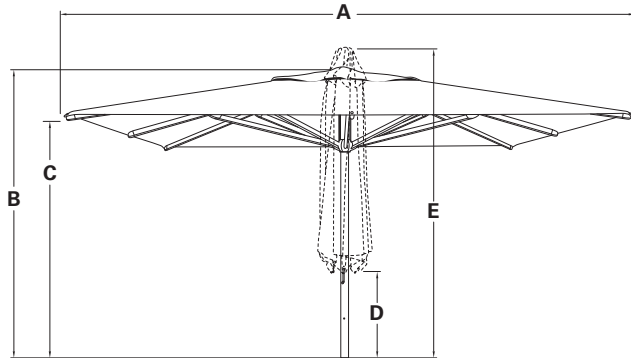
– Visit www.shademakerusa.com for more product information –

Mast Type: 3.25" Round - Centerpost

Wall Thickness: .118" Arms
.10" Mast

Applications: Commercial

Finish: Silver Shadow



Item No.	A Total Width	B Total Height	C Height to Arm	D Canopy Clearance Closed	E Total Height Closed
ASTRAL-TC-35S	11' 5"	9' 2"	7' 5"	3' 4"	11' 5"
ASTRAL-TC-40S	13' 1"	9' 4"	7' 4"	2' 11"	12'
ASTRAL-TC-50S	16' 4"	9' 6"	7' 5"	1' 8"	13' 3"
ASTRAL-TC-50	15' 2"	9' 2"	7' 5"	3' 4"	12' 3"

Item No.	Size		Canopy Shape	Coverage	Ribs	MSRP Price Group 1 <i>Sunbrella® Awning Grade</i>	MSRP Price Group 2 <i>O'bravia™ Awning Grade Sunbrella® Furniture Grade Outdura® Furniture Grade</i>	Min. Base Weight*
	meters	feet						
ASTRAL-TC-35S	3.5m	11' 5"	Square	131 sq. ft.	8	\$3,920	\$3,135	400 lbs.
ASTRAL-TC-40S	4.0m	13' 1"	Square	172 sq. ft.	8	\$4,470	\$3,575	500 lbs.
ASTRAL-TC-50S	5.0m	16' 4"	Square	266 sq. ft.	8	\$5,390	\$4,315	700 lbs.**
ASTRAL-TC-50	5.0m	16' 4"	Octagon	210 sq. ft.	8	\$4,675	\$3,740	600 lbs.**

* NOTE: Recommended minimum weight requirements for free-standing applications.

** Permanent mount recommended for ASTRAL-TC-50 styles.

Striped fabrics must be ordered in pairs, due to cutting requirements.

shademaker





nova

nova

nova

The ideal shade system for existing patio & balcony structures. *Easily attaches to any beam.*

Features:

- Durable high performance hub and fittings
- Simple to operate pulley lift system
- Protective cover (*included*)

– Visit www.shademakerusa.com for more product information –



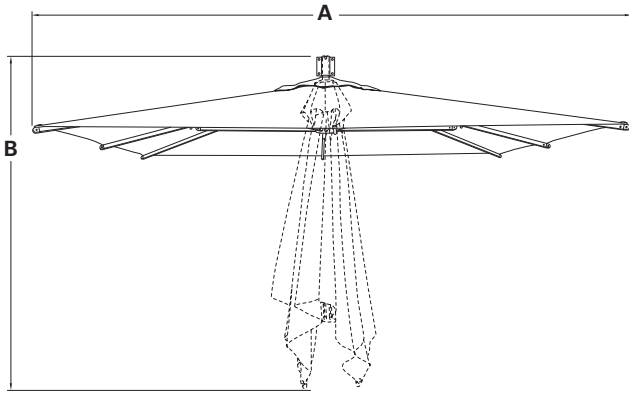
Unique Beam Mount Design

Mast Type: Beam Mount

Wall Thickness: .051" Arms

Applications: Commercial and Residential

Finish: Silver Shadow



Item No.	A Total Width	B Length Closed
NOVA-27S	8' 9"	5' 6"

Item No.	Size		Canopy Shape	Coverage	Ribs	MSRP Price Group 1	MSRP Price Group 2
	meters	feet				Sunbrella® Awning Grade	O'bravia™ Awning Grade Sunbrella® Furniture Grade Outdura® Furniture Grade
NOVA-27S	2.7m	8' 9"	Square	77 sq. ft.	8	\$1,095	\$915

Striped fabrics must be ordered in pairs, due to cutting requirements.

Canopy structure easily detaches for storage



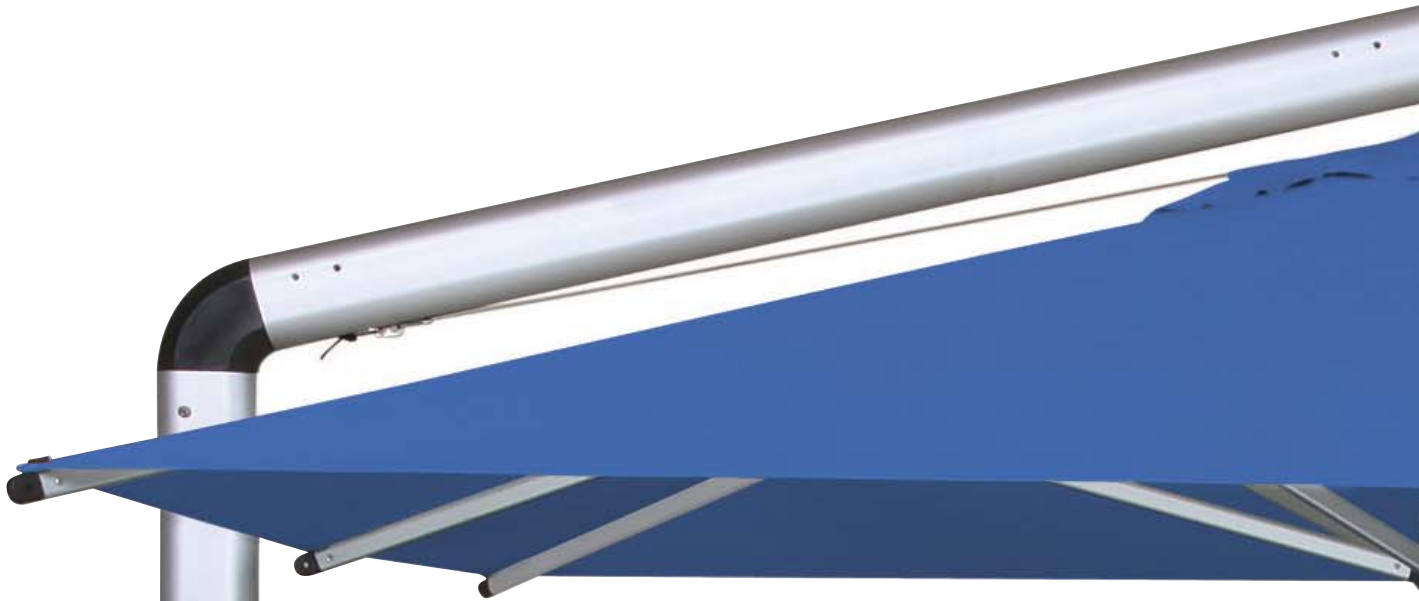
shademaker





orion

orion



orion

Our best-selling sidepost style rotates 360° and is the ideal solution for most commercial applications.

Use of the Mount Kits provide substantial cost savings and creates the preferred small footprint.

Features:

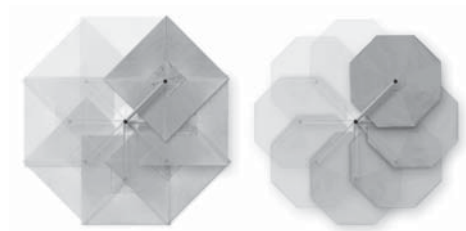
- Durable high performance hub and fittings
- High-grade stainless steel cable
- Simple to operate crank lift system
- Internal mast stem and protective cover *(included)*

MOUNT OPTIONS/BASES:

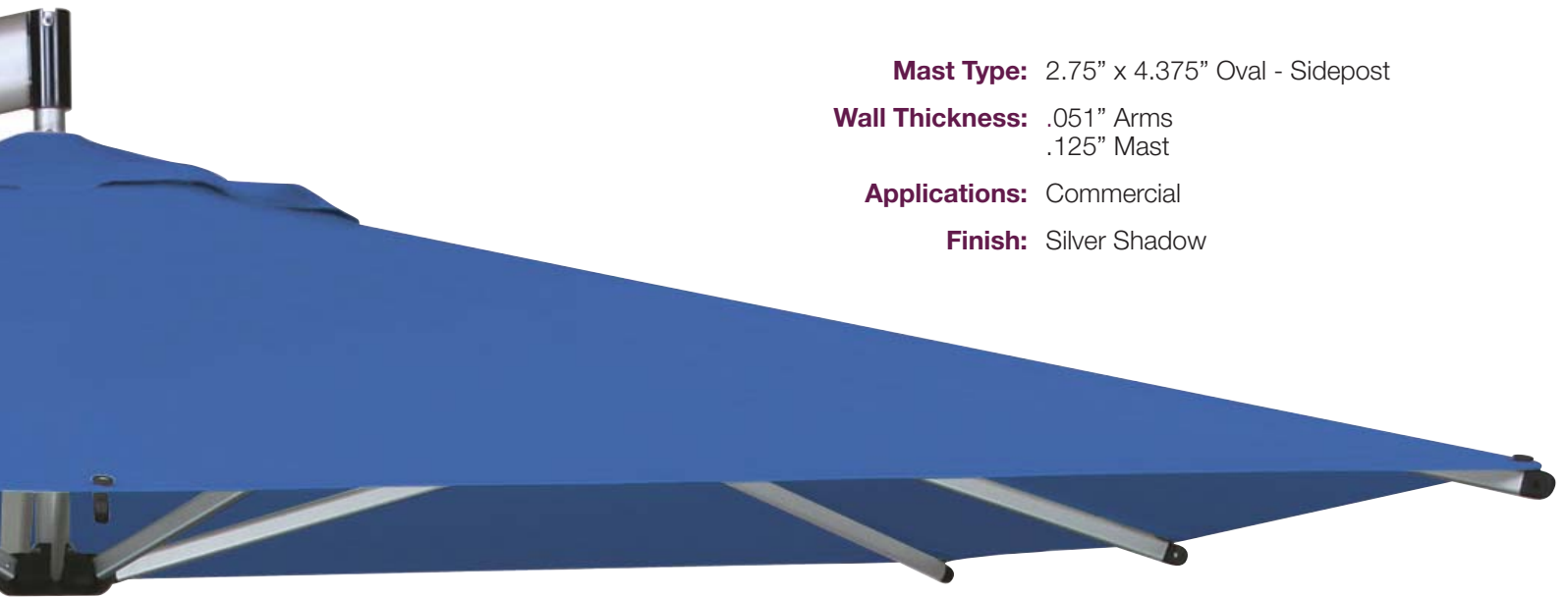
See page **32** for concrete and in-ground mounting options

See pages **33-34** for steel and heavy-duty steel bases

– Visit www.shademakerusa.com for more product information –



360° rotation



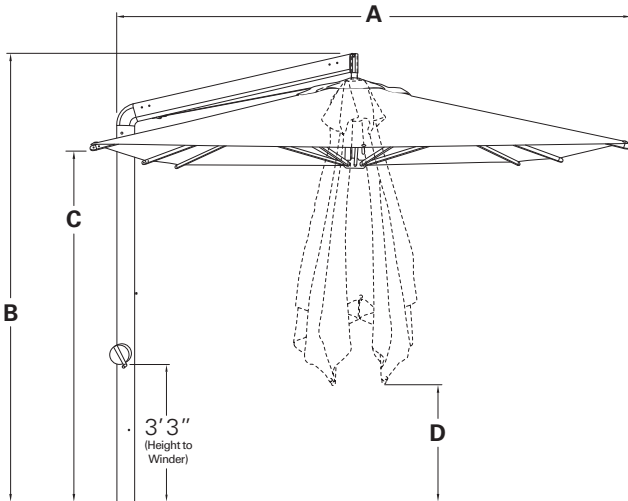
Mast Type: 2.75" x 4.375" Oval - Sidepost

Wall Thickness: .051" Arms
.125" Mast

Applications: Commercial

Finish: Silver Shadow

Canopy structure easily detaches for storage



Item No.	A Canopy to Mast Width	B Total Height	C Height to Arm	D Canopy Clearance Closed
OR-27S	9' 6"	9' 3"	6' 9"	2' 4"
OR-30S	10' 6"	9' 7"	6' 11"	1' 9"
OR-30	9' 4"	8' 11"	7'	3' 6"
OR-35	11' 4"	9' 4"	7' 4"	2' 9"
OR-40	12' 3"	9' 10"	7' 4"	2' 6"

Item No.	Size		Canopy Shape	Coverage	Ribs	MSRP Price Group 1 <i>Sunbrella® Awning Grade</i>	MSRP Price Group 2 <i>O'bravia™ Awning Grade Sunbrella® Furniture Grade Outdura® Furniture Grade</i>	Min. Base Weight*
	meters	feet						
OR-27S	2.7m	8' 9"	Square	77 sq. ft.	8	\$3,460	\$2,770	350 lbs.
OR-30S	3.0m	9' 9"	Square	95 sq. ft.	8	\$3,600	\$2,885	350 lbs.
OR-30	3.0m	9' 9"	Octagon	75 sq. ft.	8	\$3,435	\$2,745	350 lbs.
OR-35	3.5m	11' 5"	Octagon	103 sq. ft.	8	\$3,770	\$3,015	450 lbs.
OR-40	4.0m	13' 1"	Octagon	134 sq. ft.	8	\$4,130	\$3,310	500 lbs.

* NOTE: Recommended minimum weight requirements for free-standing applications.

Striped fabrics must be ordered in pairs, due to cutting requirements.

shademaker

Marriott





galaxy



galaxy

Our Galaxy is the GIANT of all sidepost styles; superior in design, durability and size.

Features:

- Durable high performance hub and fittings
- Internal mast stem and protective cover (*included*)

MOUNT OPTIONS/BASES:

See page **32** for concrete and in-ground mounting options
See page **34** for heavy-duty steel bases

– Visit www.shademakerusa.com for more product information –

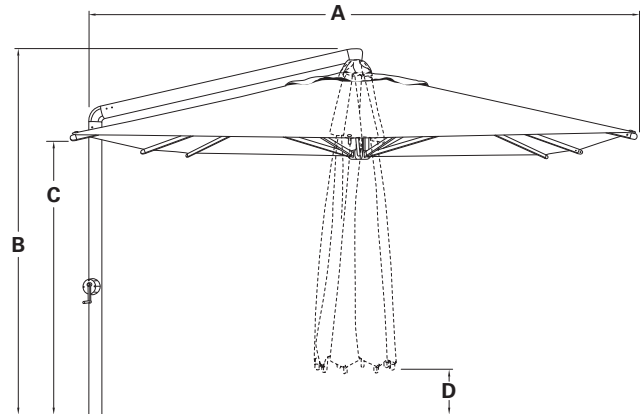


Item No.	Size		Canopy Shape	Coverage	Ribs	MSRP Price Group 1 <i>Sunbrella® Awning Grade</i>	MSRP Price Group 2 <i>O'bravia™ Awning Grade Sunbrella® Furniture Grade Outdura® Furniture Grade</i>	Min. Base Weight
	meters	feet						
GALAXY-35S	3.5m	11' 5"	Square	131 sq. ft.	8	\$6,085	\$4,865	1,000 lbs.*
GALAXY-40S	4.0m	13' 1"	Square	172 sq. ft.	8	\$6,890	\$5,510	1,400 lbs.*
GALAXY-50	5.0m	16' 4"	Octagon	210 sq. ft.	8	\$7,260	\$5,805	1,800 lbs.*

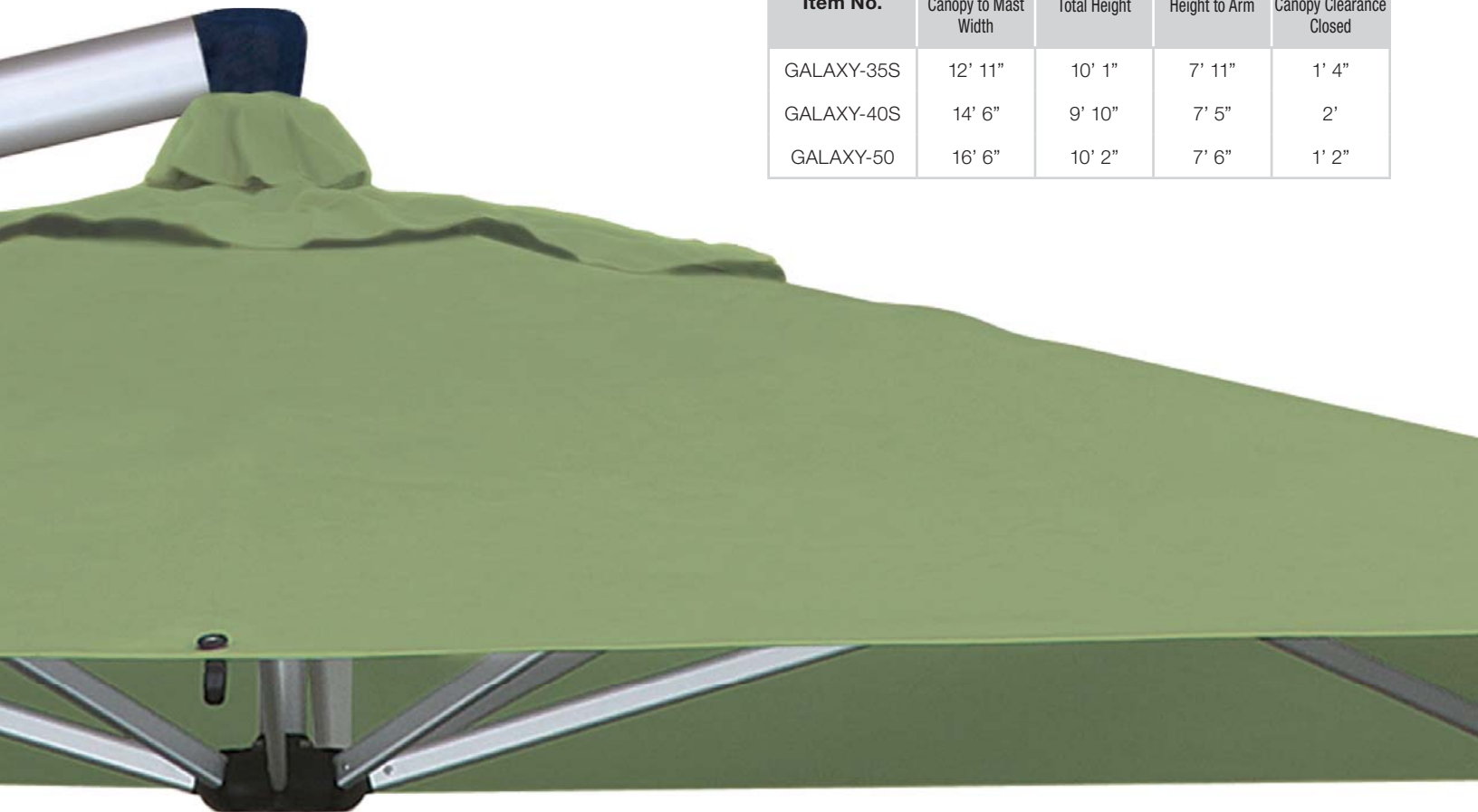
* Permanent mount recommended - see [page 32](#)

Striped fabrics must be ordered in pairs, due to cutting requirements.

- Mast Type:** 3.25" x 4.75" Oval - Sidepost
- Wall Thickness:** .118" Arms
.107" Mast
- Applications:** Commercial
- Finish:** Silver Shadow



Item No.	A Canopy to Mast Width	B Total Height	C Height to Arm	D Canopy Clearance Closed
GALAXY-35S	12' 11"	10' 1"	7' 11"	1' 4"
GALAXY-40S	14' 6"	9' 10"	7' 5"	2'
GALAXY-50	16' 6"	10' 2"	7' 6"	1' 2"



shademaker





sirius

sirius

sirius

Introduced in 1998, the Sirius is the original Shademaker design. This innovative design rotates 360° and tilts. When not in use, the Sirius folds back to the mast in a clean, compact manner.

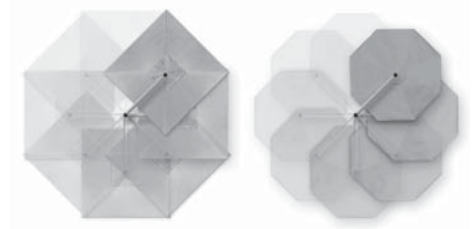
The perfect solution for residential pools, spas, patios and decks.

Use of the Mount Kits provide substantial cost savings and creates the preferred small footprint.



Features:

- Durable high performance hub and fittings
- Stainless steel hardware for longevity
- Simple to operate crank lift system
- Internal mast stem and protective cover (*included*)



360° rotation

MOUNT OPTIONS/BASES:

See page **32** for concrete and in-ground mounting options
See page **33** for steel and heavy-duty steel bases

– Visit www.shademakerusa.com for more product information –

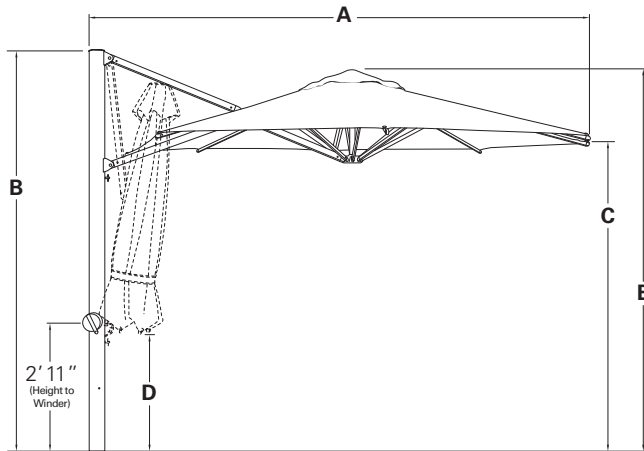


Mast Type: 2.75" x 4.375" Oval - Sidepost

Wall Thickness: .051" Arms
.125" Mast

Applications: Commercial and Residential

Finish: Silver Shadow



Item No.	A Canopy to Mast Width	B Total Height	C Height to Arm	D Canopy Clearance Closed	E Height to Canopy Top
SR-27S	9' 11"	8' 9"	6' 8"	2'	8' 5"
SR-30S	11'	9'	6' 8"	1' 7"	8' 5"
SR-30	10' 5"	8' 11"	6' 11"	3' 5"	8' 5"
SR-35	11' 9"	8' 11"	7'	2' 10"	8' 5"

Item No.	Size		Canopy Shape	Coverage	Ribs	MSRP Price Group 1 <i>Sunbrella® Awning Grade</i>	MSRP Price Group 2 <i>O'bravia™ Awning Grade Sunbrella® Furniture Grade Outdura® Furniture Grade</i>	Min. Base Weight*
	meters	feet						
SR-27S	2.7m	8' 9"	Square	77 sq. ft.	8	\$2,970	\$2,380	350 lbs.
SR-30S	3.0m	9' 9"	Square	95 sq. ft.	8	\$3,300	\$2,650	350 lbs.
SR-30	3.0m	9' 9"	Octagon	75 sq. ft.	8	\$2,860	\$2,295	350 lbs.
SR-35	3.5m	11' 5"	Octagon	103 sq. ft.	8	\$3,210	\$2,565	450 lbs.

* NOTE: Recommended minimum weight requirements for free-standing applications.

STRIPED FABRICS NOT AVAILABLE ON THIS STYLE.

shademaker





polaris

polaris

Both elegant and noble in design, the Polaris sidepost umbrella is easy to operate; combined with a unique tilting function makes it the perfect shade for commercial or residential use.

Use of the Mount Kits provide substantial cost savings and creates the preferred small footprint.



Features:

- Durable high performance hub and fittings
- Stainless steel hardware for longevity
- Simple to operate infinite tilt system
- Internal mast stem and protective cover (*included*)

MOUNT OPTIONS/BASES:

See page **32** for concrete and in-ground mounting options

See page **33** for steel and heavy-duty steel bases

– Visit www.shademakerusa.com for more product information –



360° rotation



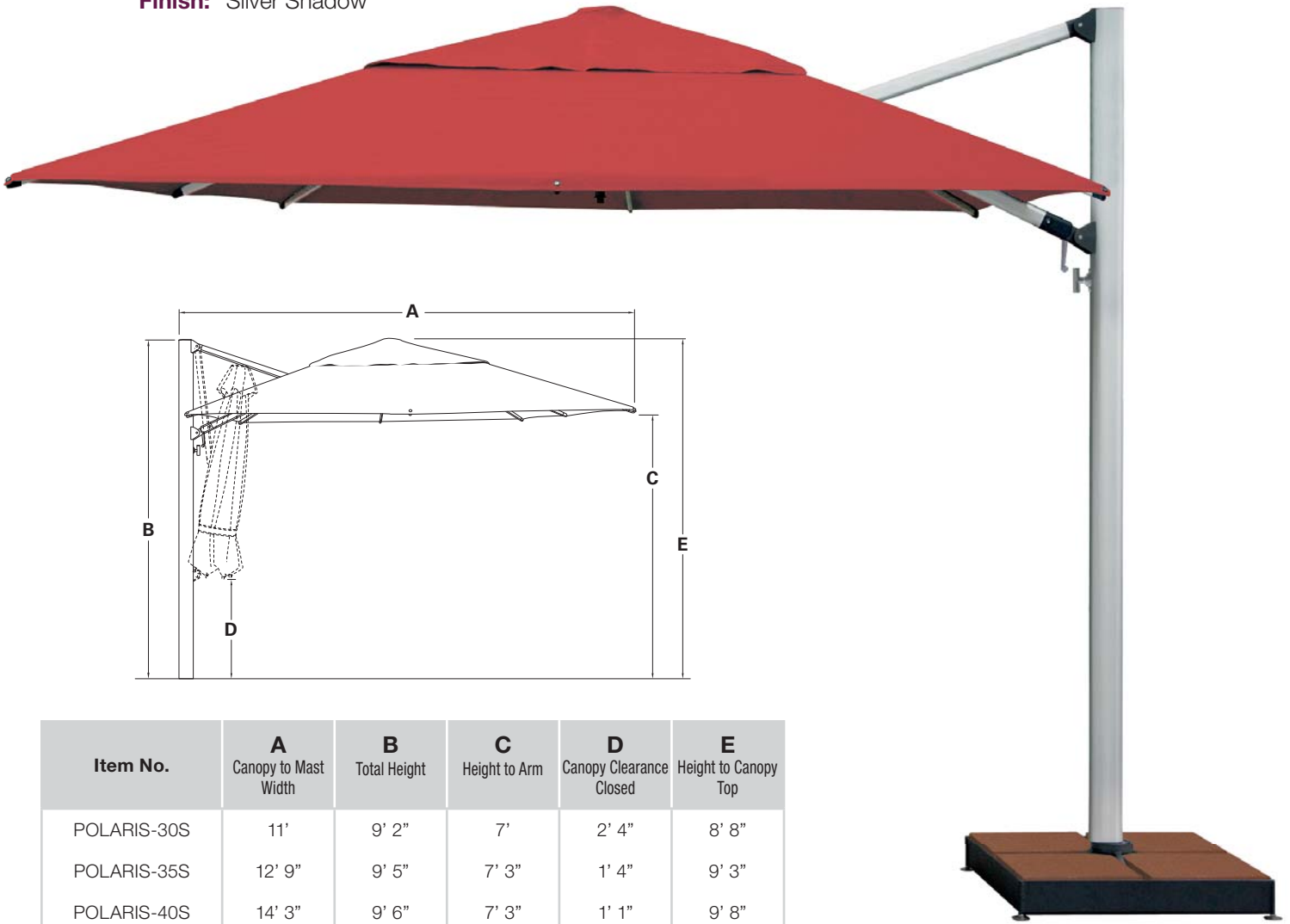
effortless crank & tilt function

Mast Type: 3.125" x 4.75" Oval - Sidepost

Wall Thickness: .059" Arms
.125" Mast

Applications: Commercial and Residential

Finish: Silver Shadow



Item No.	A Canopy to Mast Width	B Total Height	C Height to Arm	D Canopy Clearance Closed	E Height to Canopy Top
POLARIS-30S	11'	9' 2"	7'	2' 4"	8' 8"
POLARIS-35S	12' 9"	9' 5"	7' 3"	1' 4"	9' 3"
POLARIS-40S	14' 3"	9' 6"	7' 3"	1' 1"	9' 8"

Item No.	Size		Canopy Shape	Coverage	Ribs	MSRP Price Group 1 Sunbrella® Awning Grade	MSRP Price Group 2 O'bravia™ Awning Grade Sunbrella® Furniture Grade Outdura® Furniture Grade	Min. Base Weight*
	meters	feet						
POLARIS-30S	3.0m	9' 9"	Square	95 sq. ft.	8	\$3,810	\$3,050	450 lbs.
POLARIS-35S	3.5m	11' 5"	Square	131 sq. ft.	8	\$4,315	\$3,450	550 lbs.
POLARIS-40S	4.0m	13' 1"	Square	172 sq. ft.	8	\$4,785	\$3,830	750 lbs.**

* NOTE: Recommended minimum weight requirements for free-standing applications.

** Permanent mount recommended for Polaris-40S style see page 32

STRIPED FABRICS NOT AVAILABLE ON THIS STYLE.

shademaker





bases &
mount options

steel base frame & weights

Shademaker steel bases may be purchased individually or in multiple sizes and stacked to meet base weight requirements.

steel base weights for libra, orion and sirius styles

NOTE: SM PLATE (Adapter Plate) REQUIRED



(square)

Item No.	Weight	Size	Thickness	MSRP
SB50SQ	50 lbs.	17"	.675"	\$190
SB100SQ	100 lbs.	24"	.675"	\$320
SB125SQ	125 lbs.	27"	.675"	\$410



(round)

Item No.	Weight	Dia.	Thickness	MSRP
SB50R	50 lbs.	19"	.675"	\$235
SB100R	100 lbs.	27"	.675"	\$380
SB125R	125 lbs.	30"	.675"	\$475

galvanized steel base weights for astral-tc, orion, polaris and sirius styles

NOTE: SM PLATE (Adapter Plate) REQUIRED



MADE
IN THE USA

Item No.	Weight	Size	Thickness	MSRP
GB200SQ	200 lbs.	36"	.5"	\$2,300

steel base weight combinations (stacked)

Steel base weights must begin with a 125 lb. weight (SB125SQ or SB125R).



300 lbs.: (2) SB125SQ + (1) SB50SQ (shown)

NOTE: When stacking steel base weights, the **SB50R** and **SB50SQ** CAN ONLY BE USED AS THE TOP WEIGHT.

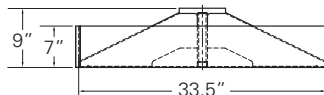
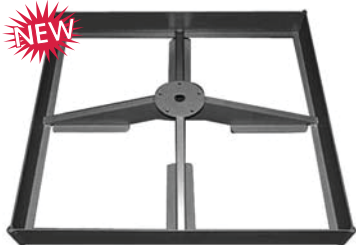
NOTE: SM PLATE (Adapter Plate) required when using steel or galvanized steel base weights.



adapter plate
for base weights

Item No.	Weight	Dia.	Thickness	MSRP
SM PLATE	8 lbs.	8.5"	.5"	\$40

steel base frame for astral-tc, orion, polaris and sirius styles



Accommodates 16" stone pavers/weights (sold separately).

Item No.	Weight	Cube	MSRP
BC05XM	72 lbs.	5.55	\$475

NOTE: SM PLATE (Adapter Plate) **NOT** REQUIRED

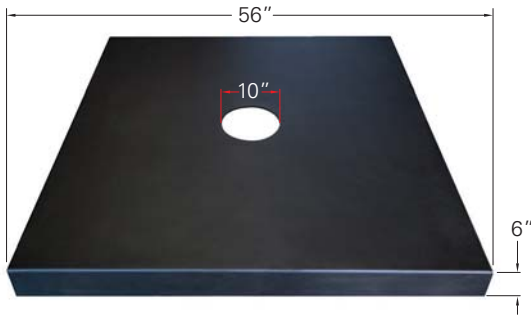


Stone pavers/weights not available through Shademaker.

zeus

Our heavy-duty steel base designed for rooftop, high wind and multiple unit applications.

heavy-duty steel base for orion and galaxy styles



- Durable black powder coated steel lid
- Industrial grade steel frame designed to mount multiple umbrellas
- Adjustable feet for leveling
- Reinforced padded corners to protect surfaces
- MADE IN THE USA



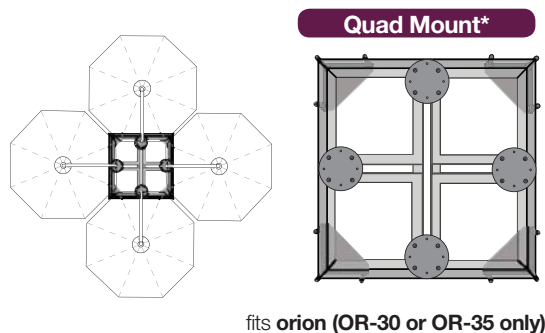
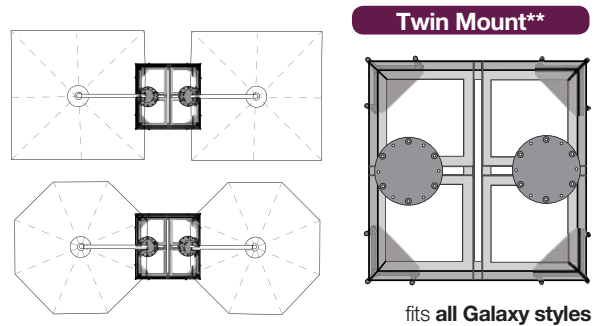
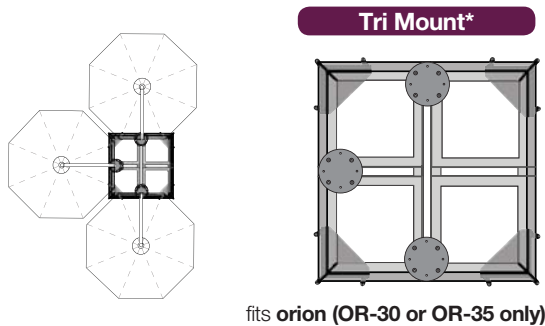
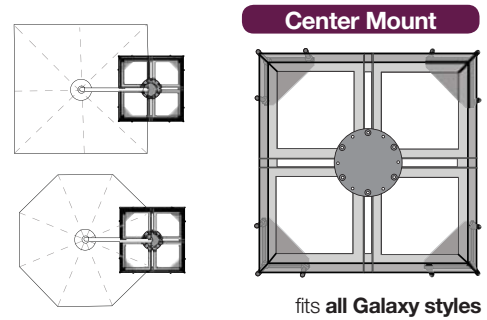
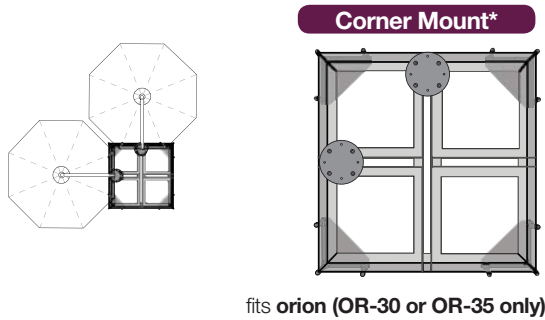
SB100SQ steel base weights must be used (each sold separately)

See Base Weight Matrix page 36

Item No.	Weight	MSRP
Z56569	225 lbs.	\$3,800

orion multiple umbrellas

galaxy multiple umbrellas



mounting clamps

Additional mounting clamps are required for mounting 2-4 umbrellas.

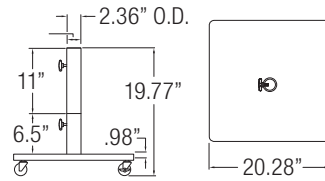
e.g., 3 additional clamps are required with quad mount application.

Item No.	Item	MSRP
*MC-SMALL	orion	\$395 ea.
**MC-LARGE	galaxy	\$595 ea.

We recommend a licensed contractor to secure your Shademaker umbrellas.

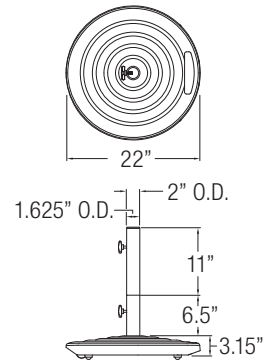
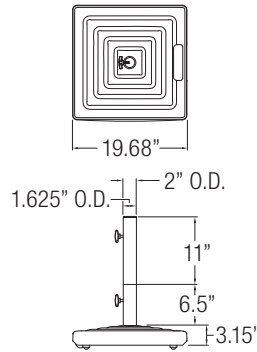
additional **bases** for **libra**

steel base w/casters for libra styles



Item No.	Finish	Weight	Cube	Pallet	MSRP
BSK1209	black	120 lbs.	1.4	16	\$515

cast aluminum bases for libra styles

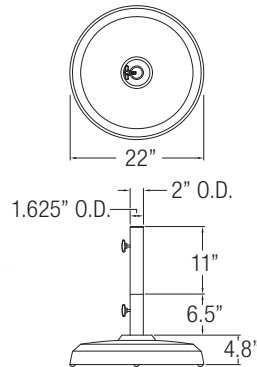


monaco (square) w/wheels & handle

Item No.	Finish	Weight	Cube	Pallet	MSRP
BKMSQ1005T	platinum	100 lbs.	1.75	24	\$495
BKMSQ1009	black	100 lbs.	1.75	24	\$495

monaco (round) w/wheels & handle

Item No.	Finish	Weight	Cube	Pallet	MSRP
BKM1005T	platinum	100 lbs.	1.75	24	\$495
BKM1009	black	100 lbs.	1.75	24	\$495

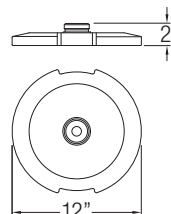


commercial

Item No.	Finish	Weight	Cube	Pallet	MSRP
BA1509	black	150 lbs.	2.8	12	\$575

add-on weight for monaco styles

- Optional cast iron weight adds 30 lbs. to our cast aluminum base.



Item No.	Weight	MSRP
BW30	30 lbs.	\$85

base weight matrix

Item No.	Size	Canopy Shape	Minimum Base Weight	Mount and Base Options		
				Recommended	Alternate 1	Alternate 2
LIBRA-20S	6' 6"	SQ	100 lbs.	(SB) steel base weight*	BKMSQ1005T, BKMSQ1009	BSK1209
LIBRA-25S	8' 2"	SQ	100 lbs.	(SB) steel base weight*	BKMSQ1005T, BKMSQ1009	BSK1209
LIBRA-25	8' 2"	OCT	100 lbs.	(SB) steel base weight*	BKM1005T, BKM1009	BA1509
ASTRAL-TC-35S	11' 5"	SQ	400 lbs.	mount kit	BC05XM	(2) GB200SQ
ASTRAL-TC-40S	13' 1"	SQ	500 lbs.	mount kit	BC05XM	(3) GB200SQ
ASTRAL-TC-50S	16' 4"	SQ	700 lbs.	mount kit	(4) GB200SQ	zeus
ASTRAL-TC-50	16' 4"	OCT	600 lbs.	mount kit	BC05XM	(3) GB200SQ
OR-27S	8' 9"	SQ	350 lbs.	mount kit	BC05XM	(2) GB200SQ
OR-30S	9' 9"	SQ	350 lbs.	mount kit	BC05XM	(2) GB200SQ
OR-30	9' 9"	OCT	350 lbs.	mount kit	BC05XM	(2) GB200SQ
OR-35	11' 5"	OCT	450 lbs.	mount kit	BC05XM	(2) GB200SQ
OR-40	13' 1"	OCT	500 lbs.	mount kit	BC05XM	(3) GB200SQ
GALAXY-35S	11' 5"	SQ	1,000 lbs.**	galaxy mount kit	zeus	n/a
GALAXY-40S	13' 1"	SQ	1,400 lbs.**	galaxy mount kit	zeus	n/a
GALAXY-50	16' 4"	OCT	1,800 lbs.**	galaxy mount kit	zeus	n/a
SR-27S	8' 9"	SQ	350 lbs.	mount kit	BC05XM	(2) GB200SQ
SR-30S	9' 9"	SQ	350 lbs.	mount kit	BC05XM	(2) GB200SQ
SR-30	9' 9"	OCT	350 lbs.	mount kit	BC05XM	(2) GB200SQ
SR-35	11' 5"	OCT	450 lbs.	mount kit	BC05XM	(2) GB200SQ
POLARIS-30S	9' 9"	SQ	450 lbs.	mount kit	BC05XM	(2) GB200SQ
POLARIS-35S	11' 5"	SQ	550 lbs.	mount kit	BC05XM	(3) GB200SQ
POLARIS-40S	13' 1"	SQ	750 lbs.	mount kit	(4) GB200SQ	zeus

steel base frames

Item No.	Size	Frame Weight	Stone/Plate Weight	Totals	Stone/Steel plate details (Sold separately***)
BC05XM	33.5" x 7" x 9"	72 lbs.	576 lbs.	648 lbs.	Holds up to 16 pavers @ 36 lbs. each
ZEUS	6" x 56" x 56"	225 lbs.	1,600 lbs.	1,825 lbs.	Holds up to 16 - SB100SQ

Note: When stacking steel base weights, the **SB50R** and **SB50SQ** can only be used as the top weight.

* Steel base weights must begin with a 125 lb. weight (SB125R or SB125SQ).

** It is **HIGHLY recommended** that these items be mounted using our in-ground or concrete mount kits.

*** Stone paver size is 16" square, SB50SQ is 17" square and SB100SQ is 24" square.

options

Item	Item No. (Protective Cover)	MSRP
LIBRA-20S	CD951	\$85
LIBRA-25S	CD951	\$85
LIBRA-25	CD950	\$85

Item	Item No. (Protective Cover)	MSRP
GALAXY-35S	CD46-1	\$125
GALAXY-40S	CD46-3	\$125
GALAXY-50	CD46-1	\$125

Item	Item No. (Protective Cover)	MSRP
ASTRAL-TC-35S	CD9004	\$125
ASTRAL-TC-40S	CD9005	\$125
ASTRAL-TC-50S	CD9005	\$125
ASTRAL-TC-50	CD9004	\$125

Item	Item No. (Protective Cover)	MSRP
SR-27S	CD16A	\$85
SR-30S	CD16A	\$85
SR-30	CD16A	\$85
SR-35	CD16A	\$85

Item	Item No. (Protective Cover)	MSRP
NOVA-27S	CD949	\$85

Item	Item No. (Protective Cover)	MSRP
POLARIS-30S	CD36-02	\$85
POLARIS-35S	CD36-02	\$85
POLARIS-40S	CD36-01	\$85

Item	Item No. (Protective Cover)	MSRP
OR-27S	CD26A-1	\$85
OR-30S	CD26A-1	\$85
OR-30	CD26A-3	\$85
OR-35	CD26A-2	\$85
OR-40	CD26A-1	\$85

Visit www.shademakerusa.com
for more product information.

Specialty Canopy	Application	MSRP
Valance	libra, nova, orion, polaris and sirius	\$90
	astral-tc and galaxy	\$180
	astral-tc (5.0m) and galaxy (5.0m)	\$220

Optional Fabric	Price
Glen Raven Firesist®	Price Group 1 (+ 25%)

FIRESIST® awning fabric combines state-of-the-art flame retardant performance and UV resistance for the commercial awning, canopy and shade markets.

fabric collection



Price Group 1

Awning Grade

100% Solution-Dyed Acrylic

						
4600 Erin Green	4601 Pacific Blue	4602 Sunflower Yellow	4603 Jockey Red	4604 Natural	4605 Hemlock Tweed	4606 Dubonnet Tweed
						
4607 Charcoal Tweed	4608 Black	4609 Orange	4610 Turquoise	4612 Aruba	4614 Tan	4615 Smoke
						
4616 Mocha Tweed	4617 Royal Blue Tweed	4618 Walnut Brown Tweed	4620 Beige	4621 True Brown	4622 Terracotta	4623 Aquamarine
						
4624 Sky Blue	4626 Navy	4628 Toast	4630 Cadet Grey	4631 Burgundy	4632 Ivy	4633 Linen
						
4635 Buttercup	4637 Forest Green	4640 Black Cherry	4641 Sapphire Blue	4642 Oyster	4643 Persian Green	4644 Charcoal Grey
						
4645 Seagrass Green	4646 Captain Navy	4648 Taupe	4651 Silver	4652 Mediterranean Blue	4653 Mediterranean Blue Tweed	4654 Linen Tweed
						
4655 Alpine	4658 Tresco Brass	4660 Crest Birch	4661 Crest Denim	4662 Crest Ash	4663 Hyacinth	4664 Sea
						
4665 Concord	4666 Logo Red	4667 Mahogany	4668 Aspen	4671 Fern	4672 Heather Beige	4673 Spa



For more information refer to:

 SHADE FABRICS Swatch Card or visit www.sunbrella.com



maintenance

maintaining the shademaker frame and fittings

1. Hose mast and frame with water periodically, more often if installation is in a salty or industrial environment.
2. Inspect the installation fitting, mount bolts, rib spacers, etc. on a regular basis and tighten if necessary.
3. Lubricate the track and slider car mechanism as needed to enhance the ease of operation.
We recommend using DuPont™ Dry Film Lubrication Products.

maintaining the shademaker canopy fabric

1. Clean up spills and stains right away. Spills can be removed by using a clean absorbent cloth.
2. For general maintenance, use a soft brush to remove dust and dry soil. Wash down with clean, warm water (i.e., garden hose) every so often to avoid dirt becoming ingrained. Allow the fabric to air dry before closing the canopy.
3. If a thorough cleaning is necessary, sponge over the fabric using a mild soap solution (2% solution). Rinse well with plenty of water to remove all soap residue.
4. Never use detergents, cleaning fluids or solvents. Grease and oil stains may be removed by using turpentine or similar with an absorbent cloth.
5. Please visit the fabric websites for more details:
www.shademakerusa.com or www.sunbrella.com
6. Use protective canopy cover during storage or when not in use.



general guidelines

1. Shademaker highly recommends that no umbrella, regardless of size or weight, ever be left unattended in the open position. In windy conditions, it is further recommended that umbrellas be closed, removed from their base, and stored, or laid horizontally. This will reduce the risk of damage to your umbrella, furniture, and other belongings or property. To ensure stability of your umbrella, please observe proper placement, and use sufficient weight (base). This catalog contains minimum recommendations for necessary weight; but this can vary, depending on the conditions in your particular area.
2. **NOTE: Wind damage (or any damage caused by acts of nature) is not covered under warranty.**
3. Sufficient base weight must be used to secure umbrellas at all times. Please see individual product pages for recommended minimum weight requirements for free-standing applications. Mounting your umbrella to an existing deck or patio is always the preferred method of securing your umbrella above all other methods. We recommend a licensed contractor to secure your Shademaker umbrellas.

warranty

Shademaker™ manufactures all its shade styles from the finest aluminum alloys to ensure the strength, durability, and integrity of each and every style. We pride ourselves as a totally vertical operation. This means that we manufacture and produce over 90% of the components used in our products from the raw state. We can monitor every stage of the manufacturing process and maintain a consistent level of quality.

Our only business and focus is shade and shade type products. Our goal is that each and every Shademaker style will exceed your expectations at a competitive price that will make you smile.

Our **Limited Warranty** is outlined below by individual styles. **NOTE: Wind damage is not covered under any manufacturer's warranty.**

Our umbrellas are serviceable, meaning that parts can be ordered under warranty at no charge, if found that the damage is a manufacture defect and/or purchased out of warranty to make them whole again.

5 Year Limited Warranty includes the ORION and GALAXY styles. This includes the mast, boom, head fitting, elbow, center pole, top and bottom hub, and stainless steel hardware only. If there is damage under the warranty, Shademaker will replace and/or repair any item listed in this category at its discretion. Labor charges are not covered under this limited warranty.

5 Year Limited Warranty includes the LIBRA, NOVA, SIRIUS, POLARIS and ASTRAL-TC styles. This includes the mast, arms, ribs, center pole, top and bottom hubs, and stainless steel hardware only. If there is damage under the warranty, Shademaker will replace and/or repair any item listed in this category at its discretion. Labor charges are not covered under this limited warranty.

10 Year Limited Warranty includes the Sunbrella® awning & marine grade Fabric Collection. Visit www.sunbrella.com/warranty for more details. Labor charges are not covered under this limited warranty.

The **5 Year Limited Warranty** also applies to Sunbrella Firesist®, Sunbrella Firesist® PLUS and Sunbrella® furniture grade, and O'bravia™ awning grade fabrics. Labor charges are not covered under this limited warranty.

1 Year Limited Warranty covers the powder coat finish on all bases. If the powder coat finish flakes, bubbles, peels or loses color; Shademaker will re-finish or replace the defective bases at its discretion. Normal wear and tear is not covered under this limited warranty. Labor charges are not covered under this limited warranty.

Exclusions: Wind damage, acts of nature (such as, but not limited to, freezing or any type of extreme weather). Failures caused by abusive use and normal wear and tear are not covered under this warranty.

Those filing warranty claims will be responsible for all shipping, handling, and freight charges on all claims to Shademaker in Baldwin Park, CA. All warranty claims must be submitted with the original proof of purchase, date of purchase, name of dealer, and the description of the damage. The Shademaker warranty is not transferable. Shademaker reserves the right to repair, replace, and/or redesign any product that is returned under a warranty claim.

shademaker

13401 Brooks Drive
Baldwin Park, CA 91706

p 626 338 8810 f 626 338 8816
info@shademakerusa.com

SHOWROOMS

Chicago - 1655 Merchandise Mart
Las Vegas - World Market C1215