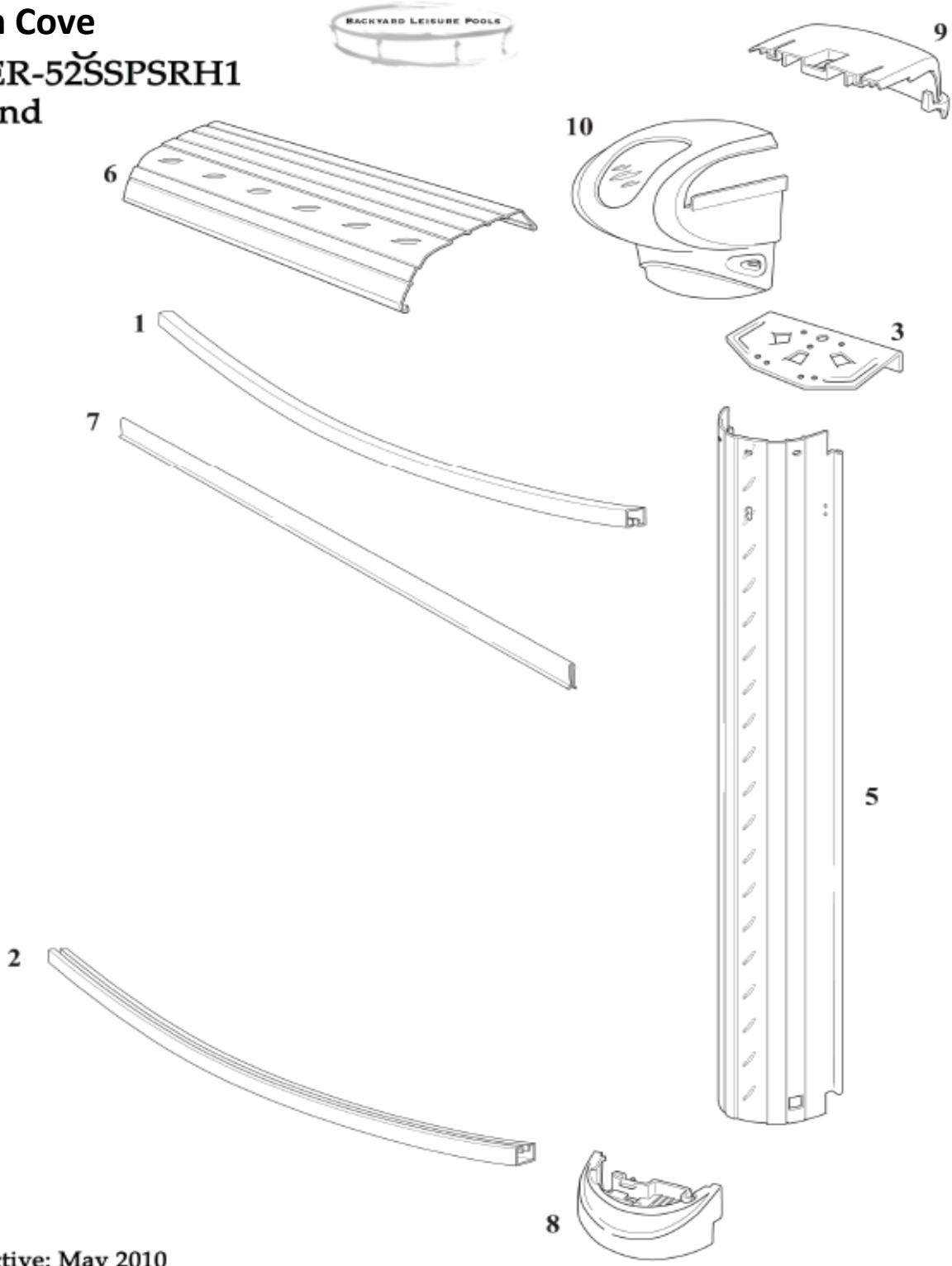


Glen Cove
PHER-52ŠSPSRH1
Round



Effective: May 2010
Cancel all previous

Product Description:
Product Code

Glen Cove Round
PHER-52SSPSRH1

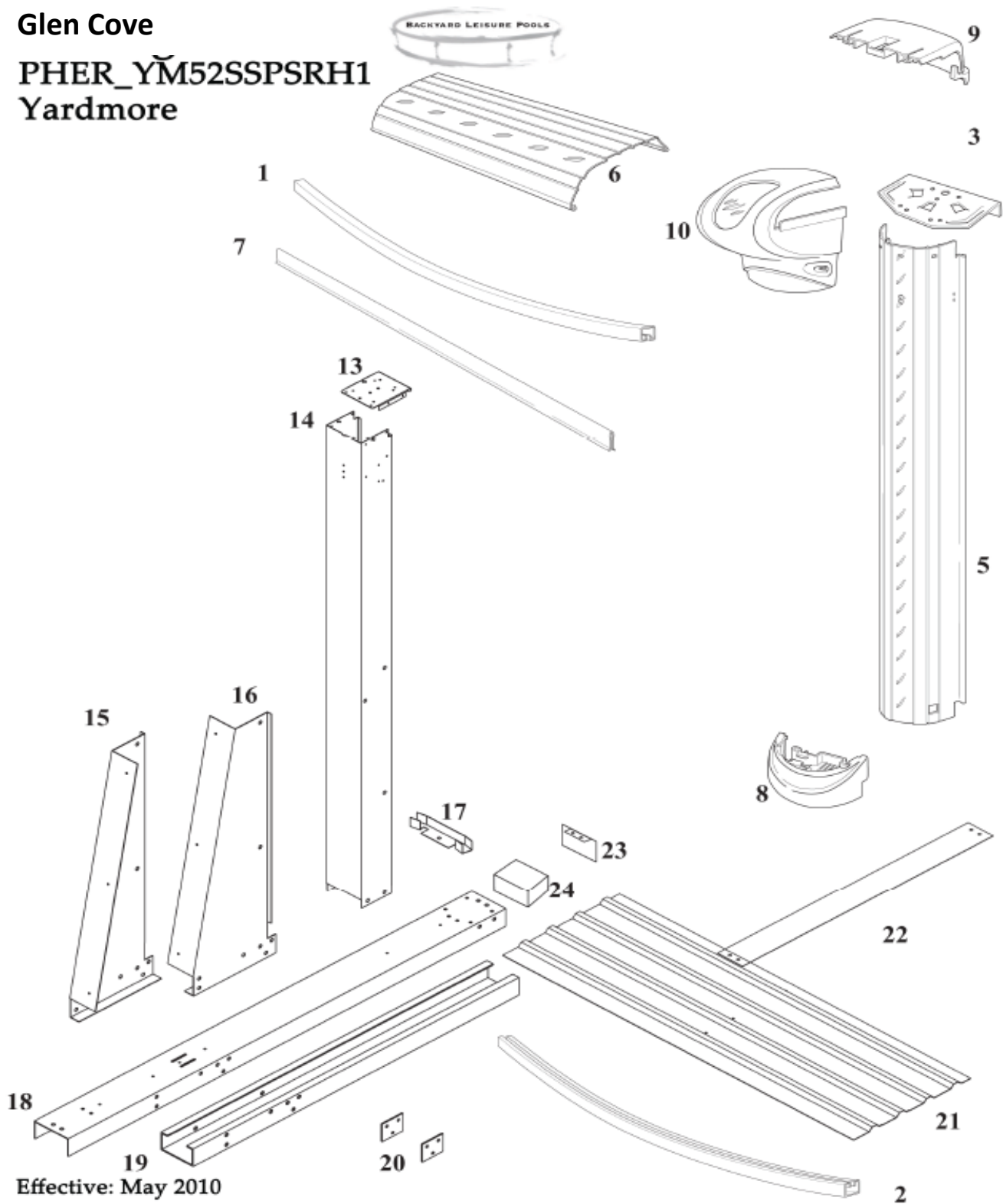
Revised: 11/24/15

				Quantities required for installation (by size)									
Index #	Description	Part #	Length	08'	12'	15'	18'	21'	27'	30'	33'	Retail Price	
6	Top Rail Curved	22749	27-1/4"	11								\$18.16	
6	Top Rail Curved	22750	40-1/8"		11							\$26.80	
6	Top Rail Curved	22755	55-13/16"			10	12	14	18	20	22	\$37.17	
5	Upright	22759	51-5/8"	11	11	10	12	14	18	20	22	\$31.85	
10	Top Cap Small Inner	22734	7"	11	11	10	12	14	18	20	22	\$9.59	
9	Top Cap Large Outer Curved	22732	7"	11	11	10	12	14	18	20	22	\$15.42	
8	Top Cap Boot	22735	7"	11	11	10	12	14	18	20	22	\$2.98	
3	Top Plate	22761	6"	11	11	10	12	14	18	20	22	\$2.60	
7	Plastic Coping	10296	48"	7	9	12	14	16	21	24	25	\$1.22	
1	Inner Stabilizer	38500	29-1/2"	11								\$4.58	
1	Inner Stabilizer	38501	42-5/8"		11							\$6.70	
1	Inner Stabilizer	38502	53-1/4"			11						\$8.37	
1	Inner Stabilizer	38503	54-1/8"				13					\$8.48	
1	Inner Stabilizer	38505	54-7/16"					15				\$8.48	
1	Inner Stabilizer	38507	52-7/8"						20			\$8.26	
1	Inner Stabilizer	38509	51-1/4"							23		\$8.04	
1	Inner Stabilizer	38510	53-3/8"								24	\$8.37	
2	Bottom Rail	18837	25-1/4"	11								\$4.51	
2	Bottom Rail	38736	38"		11							\$7.44	
2	Bottom Rail	38737	54-1/8"			10						\$11.16	
2	Bottom Rail	38738	54-7/16"				12					\$11.16	
2	Bottom Rail	38739	54-5/16"					14				\$11.16	
2	Bottom Rail	38741	54-1/4"						18			\$11.16	
2	Bottom Rail	38742	54-1/4"							20		\$11.16	
2	Bottom Rail	38743	54-1/4"								22	\$11.16	
*	Hardware	44-10002		1	1	1						\$16.51	
*	Hardware	44-10004					1					\$17.87	
*	Hardware	44-10006						1				\$19.73	
*	Hardware	44-10010							1			\$24.42	
*	Hardware	44-10011								1		\$23.71	
*	Hardware	44-10013									1	\$25.46	
	Envelope Safety Stickers	95-0007		1	1	1	1	1	1	1	1	Call for Pricing	
	Instructional DVD	36878		1	1	1	1	1	1	1	1	Call for Pricing	

*May not be pictured

Glen Cove

PHER_YM52SSPSRH1
Yardmore



Effective: May 2010
Cancel all previous

Product Description:
Product Code

Glen Cove YM Oval
PHER-52SSPSRH1

Revised: 11/24/15

Index #	Description	Part #	Length	Qty Required for Installation (by Size)													Retail Price	
				812	815	1016	1217	1218	1220	1224	1524	1526	1530	1833	1840	2143		
6	Top Rail Curved	22750	40-1/8"			6	12	8	10	10								\$26.80
6	Top Rail Curved	22751	51-1/6"								10	10	10				\$33.73	
6	Top Rail Curved	22752	51-13/16"											12	12		\$33.75	
6	Top Rail Curved	22755	55-13/16"													14	\$37.17	
6	Top Rail Curved	22749	27-1/4"	10	10												\$18.16	
6	Top Rail Transition	38042	45-5/8"			4											\$29.05	
6	Top Rail Transition	29812	47-1/4"				4				4						\$31.24	
6	Top Rail Transition	27944	30"	4	4												\$19.86	
6	Top Rail Straight Side	22756	41-1/4"		2	2	2	2	6	8	2	8	10	10	10	12	\$27.65	
5	Upright	22759	51-5/8"	12	12	8	10	10	12	12	12	12	12	14	14	12	\$31.85	
14	Wrap Upright	35738	52"	2	4	4	4	4	4	6	4	6	8	8	12	14	\$70.37	
10	Top Cap Small Inner	22734	7"	14	16	12	14	14	16	18	16	18	20	22	26	26	\$9.59	
10	Top cap Large Outer Straight	22733	7"	2	4	4	4	4	4	6	4	6	8	8	12	14	\$15.42	
9	Top Cap Large Outer Curved	22732	7"	12	12	8	10	10	12	12	12	12	14	14	14	12	\$15.42	
8	Top Cap Boot	22735	7"	12	12	8	10	10	12	12	12	12	14	14	12		\$2.98	
13	Top Plate Oval	22762	6"	2	4	4	4	4	4	6	4	6	8	8	12	14	\$1.98	
3	Top Plate	22761	6"	12	12	8	10	10	12	12	12	12	14	14	14	14	\$2.60	
7	Plastic Coping	10296	48"	9	11	12	14	14	15	16	19	19	19	21	24	28	\$1.22	
1	Inter Stabilizer	38515	29-1/2"	4													\$8.74	
1	Inter Stabilizer	38516	41-3/8"			4											\$6.25	
1	Inter Stabilizer	38501	42-5/8"			6	12	8	10	10							\$6.70	
1	Inter Stabilizer	38502	53-1/4"								10	10	10				\$8.37	
1	Inter Stabilizer	38503	54-1/8"											12	12		\$8.48	
1	Inter Stabilizer	38500	29-1/2"	10	10												\$4.58	
1	Inter Stabilizer	38505	54-7/16"													14	\$8.48	
1	Rim	22909	39"						4								\$6.14	
1	Wall Rim Center	38513	8"	2	4	4	4	4	4	6	4	6	8	8	12	26	\$1.23	
1	Wall Rim Corner	38514	43"					4			4						\$6.70	
1	Wall Rim Corner	38511	37"							4		4	4	4	4		\$5.80	
1	Wall Rim Middle	38512	33"		2	2	2	2	2	4	2	4	6	6	10	12	\$5.13	
2	Bottom Rail	38736	38"			6	12	8	10	10							\$7.44	
2	Bottom Rail	10289	38"						10								\$12.61	
2	Bottom Rail	14950	49"								10	10	10				\$9.01	
2	Bottom Rail	14949	50"											12	12		\$10.70	
2	Bottom Rail	18837	25-1/4"	10	10												\$4.51	
2	Bottom Rail Transition	37391	27-1/4"	4	4												\$7.01	
2	Bottom Rail Straight side	16713	37.5"		2	2	2	2	4	4	2	4	6	6	10	12	\$6.87	
2	Bottom Rail Straight side	16543	37-1/2"						2								\$12.61	
2	Bottom Rail Straight side	38739	54-5/16"													10	\$11.16	
2	Bottom Rail Corner	38035	42-5/8"			4											\$8.00	
2	Bottom Rail Corner	22901	45"					4			4						\$8.45	
2	Bottom Rail Corner	16544	39"						4								\$12.61	
2	Bottom Rail Corner	16714	39"							4		4	4	4	4		\$7.21	
2	Bottom Rail Corner	26097	54-5/16"									4	4	4	4	4	\$10.81	
17	Connector Bottom Rail Straight Side	16542		2	4	4	4	4	4	6	8	6	8	8	12	14	\$2.64	
21	Pressure Plate	16549		4	4	4	4	4	4	6	4	6	8	8	12	14	\$60.73	
23	Oval Channel End Cap	22726		2	4	4	4	4	4	6	8	6	8	8	12	14	\$1.67	
24	Oval Channel Foam Block	29917		2	4	4	4	4	4	6	4	6	8	8	12	14	\$3.54	
19	Under Channel	15933	45-9/16"	2	4	4	4	4	4	6	4	6	4	4	4	6	\$70.23	
15	Yardmore Gusset Left	35740		2	4	4	4	4	4	6	4	6	4	4	4	6	\$50.93	
16	Yardmore Gusset Right	35741		2	4	4	4	4	4	6	4	6	4	4	4	6	\$50.93	
18	Strap Over Channel	16539	52-3/8"	2	4	4	4	4	4	6	8	6	8	8	12	14	\$86.39	
22	Strap Section	33095	28-5/8"			8											\$6.19	
22	Strap Section	16724	41-11/16"				4	4	4	6	4						\$9.39	
22	Strap Section	16725	40-11/16"								6	9	12				\$9.33	
22	Strap Section	16726	52-11/16"											12	18		\$11.66	
22	Strap Section	33160	32-1/4"		2												\$6.19	
23	Strap Section	22126														28	\$11.34	
20	Hardware Yardmore (4 Upright)	22-16720			1	1	1	1	1	1	1	1	1	1	1	1	\$67.98	
20	Hardware Yardmore (2 Upright)	22-16722		1						1		1				1	\$34.17	
*	Hardware	44-10019		1		1											\$38.04	
*	Hardware	44-10020			2	1		1	1								\$40.86	
*	Hardware	44-10212			1												Call for Pricing	
*	Hardware	44-10022					1	1									\$38.71	
*	Hardware	44-10025							1		1	1					\$53.57	
*	Hardware	44-10023								1							\$53.57	
*	Hardware	44-10024									1						\$47.06	
*	Hardware	44-10026											1				\$65.32	
*	Hardware	44-10027												1			\$66.63	
*	Hardware	44-10028													1		\$96.65	
*	Hardware	44-10029														1	\$107.37	
	Envelope Safety Stickers	95-0007		1	1	1	1	1	1	1	1	1	1	1	1	1	Call for Pricing	
	Instructional DVD	36878		1	1	1	1	1	1	1	1	1	1	1	1	1	Call for Pricing	

*May not be pictured